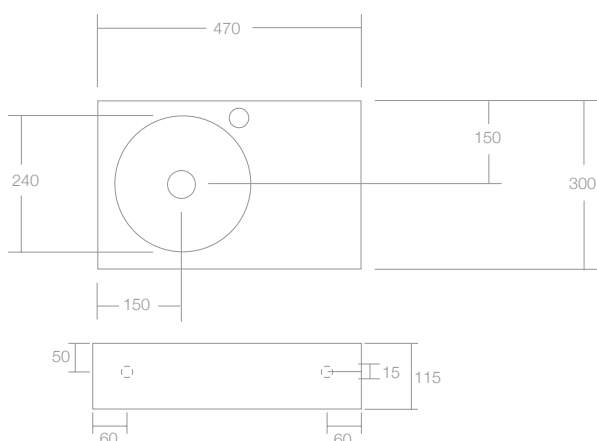


The uncomplicated and effortless style of the Neo Mini provides you with sophisticated yet reserved form that completely represents the modern bathroom.

Manufactured from solid surface it has a smooth matt finish that is durable and easy to maintain, ideal for residential and commercial environments. It is also available with Softskin options.

Neo Mini features a left or right hand bowl and can be wall mounted or installed onto a bench top. The basin is designed to complement the Neo cabinetry. It is supplied with or without tap or fixing holes, polished chrome pop up plug and waste and wall basin fixing bolts.

In Australia, the Neo range is available exclusively through Reece Bathrooms.



### Dimensions

Width: 470mm      Bowl Dimensions: 240mm  
 Depth: 300mm      Capacity: 1 litre  
 Height: 115mm

### Features

Colour: White  
 Material: Solid Surface  
 Softskin Available: Yes. Charcoal and Tapestry Beige  
 Finish: Matt  
 Overflow: Yes  
 Tap Holes: 0 or 1  
     Left hand bowl, right hand tap hole  
     Right hand bowl, right hand tap hole  
 Waste Size: 32mm  
 Waste Supplied: Yes  
 Options: Solid surface white waste cap

### Cleaning

**Solid surface:** Spills should be cleaned up promptly. Clean with a mild detergent or soapy water and soft cloth. For more stubborn marks use a diluted very mild non coloured abrasive cleaner with a soft cloth in light circular motions over the entire surface. Finish by cleaning off detergents with a soft wet cloth and towel dry. Avoid using bleach, highly acidic products and coloured abrasive cleaners on your basin.

**Softskin:** Softskin is a layered finish that is applied to solid surface products. Clean with warm soapy water, or a non-abrasive, non-acidic liquid cleaner and a soft cloth. Finish by cleaning off detergents with a soft wet cloth and towel dry. Do not use harsh materials such as scourers, abrasive detergents or solvents, as the surface may scratch or graze.