

# CDesign 1330 Solid Surface

## Available finishes

Solid surface white.

## Assembly

CDesign 1330 basin assembly includes:

- Basin with overflow
- $\varnothing 32$  mm chrome pop up waste
- Rubber seals
- Chrome locknut

## Cleaning

Solid surface - Clean with a mild detergent and a soft cloth.  
For more stubborn marks a very mild abrasive cleaner can be used with a soft cloth over the entire surface in wide circular motions.  
Finish by cleaning off detergents with a soft wet cloth and towel dry.

## Additional information and recommended fittings

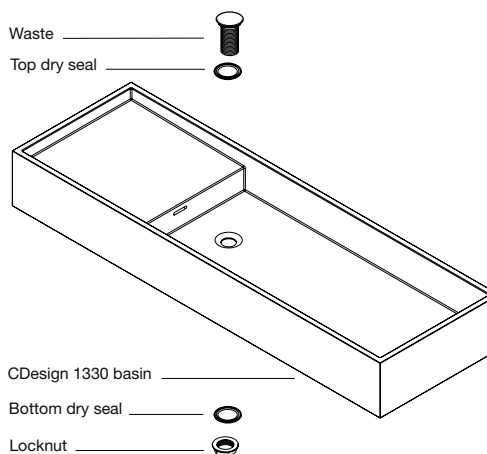
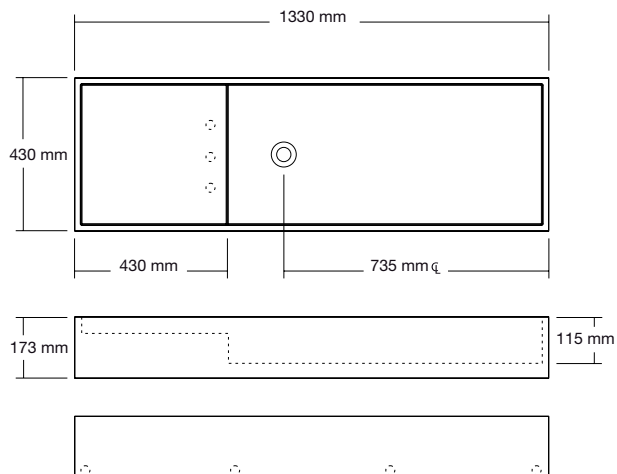
CDesign basins are available with a left or right hand bowl and can be wall mounted or installed with cabinetry. Basin can be ordered with 0, 1 or 3 tap holes. CDesign cabinetry also available.

## Important

This is not an installation guide.  
Please contact OMVIVO for technical details.  
Product specifications are subject to alteration without notice.

©OMVIVO Pty Ltd. 2008.

## Assembly



Note: Drawing and assembly illustrate a right hand bowl.  
Left hand bowl also available.



design Carr Design Group

**OMVIVO**

Omviso Pty Ltd Schiavello Complex T: + 61 3 9339 8130  
1 Sharps Road Tullamarine F: + 61 3 9330 8611  
Victoria Australia 3043 info@omvivo.com

www.omvivo.com

Note: due to varying manufacturing methods, the dimensions illustrated here are nominal and subject to change.  
Omviso has detailed, to the best of its ability, the most approximate measurement possible for each product given the method of manufacturing used.