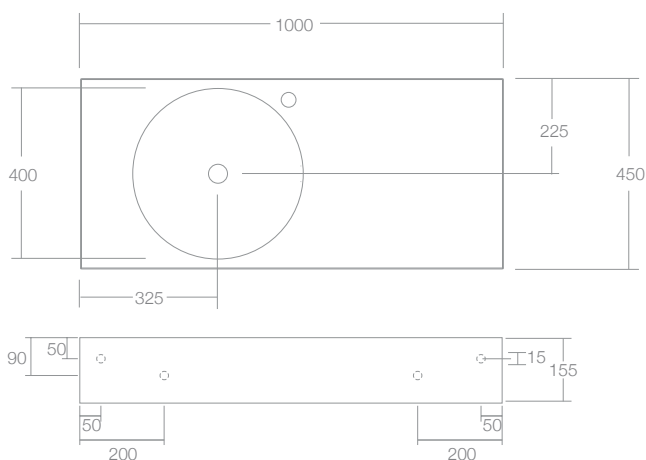


The Neo 1000 offset basin combines function with contemporary uncomplicated design, perfect for the modern bathroom.

Manufactured from solid surface it has a smooth matt finish that is durable and easy to maintain, ideal for residential and commercial applications. It is also available with Softskin options.

Neo 1000 offset basin features a left or right hand bowl, can be wall mounted or installed onto a bench top and is designed to complement the Neo cabinetry. It is supplied with or without tap or fixing holes, a polished chrome pop up plug and waste and wall basin fixing bolts.

In Australia, the Neo range is available exclusively through Reece Bathrooms.



Dimensions

| | | | |
|---------|--------|------------------|----------|
| Width: | 1000mm | Bowl Dimensions: | 400mm |
| Depth: | 450mm | Capacity: | 8 litres |
| Height: | 155mm | | |

Features

| | |
|---------------------|--------------------------------------|
| Colour: | White |
| Material: | Solid Surface |
| Softskin Available: | Yes. Charcoal and Tapestry Beige |
| Finish: | Matt |
| Overflow: | Yes |
| Tap Holes: | 0 or 1 |
| | Left hand bowl, right hand tap hole |
| | Right hand bowl, right hand tap hole |
| Waste Size: | 32mm |
| Waste Supplied: | Yes |
| Options: | Solid surface white waste cap |

Cleaning

Solid surface: Spills should be cleaned up promptly. Clean with a mild detergent or soapy water and soft cloth. For more stubborn marks use a diluted very mild non coloured abrasive cleaner with a soft cloth in light circular motions over the entire surface. Finish by cleaning off detergents with a soft wet cloth and towel dry. Avoid using bleach, highly acidic products and coloured abrasive cleaners on your basin.

Softskin: Softskin is a layered finish that is applied to solid surface products. Clean with warm soapy water, or a non-abrasive, non-acidic liquid cleaner and a soft cloth. Finish by cleaning off detergents with a soft wet cloth and towel dry. Do not use harsh materials such as scourers, abrasive detergents or solvents, as the surface may scratch or graze.