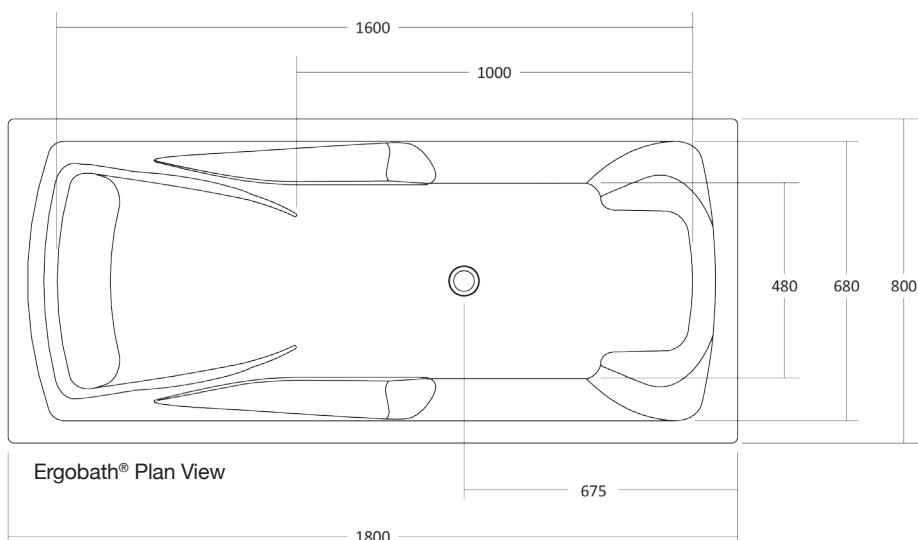
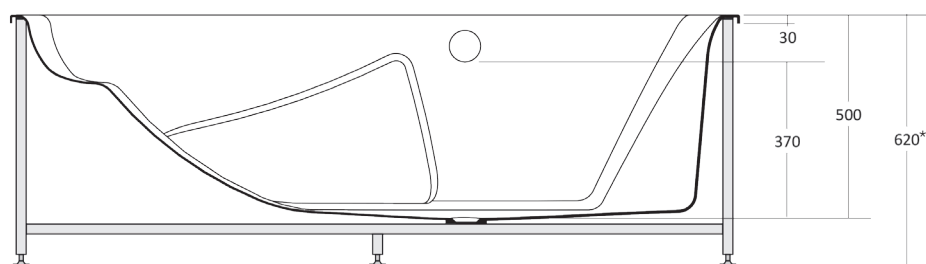


OMVIVO ERGOBATH® CLASSIC



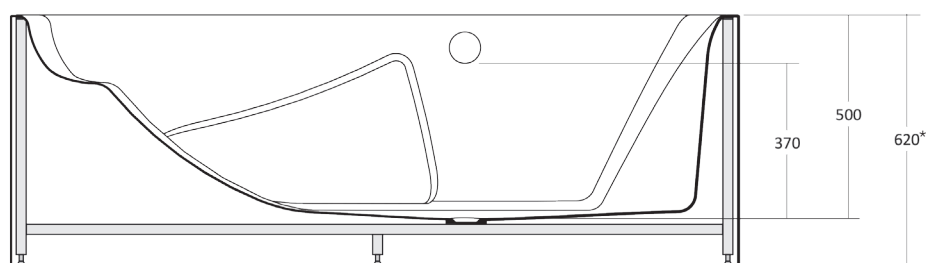
Ergobath® Freestanding Bath



Ergobath® Inset Bath



Ergobath® Inset Deluxe Spa Bath



Ergobath® Freestanding Bath



Ergobath® Freestanding Premium Spa Bath

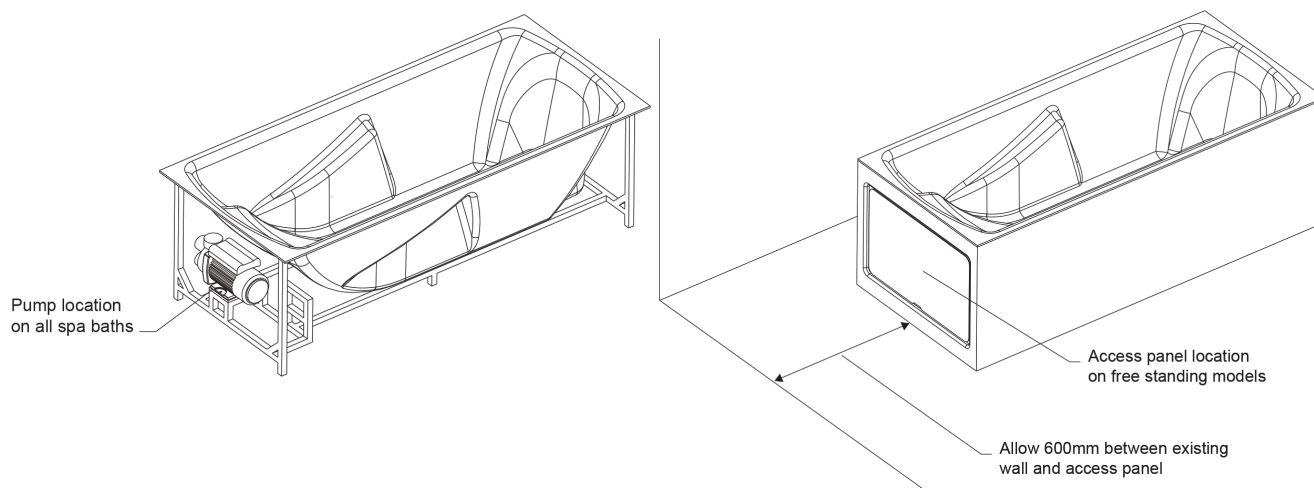
Please note that all measurements are approximate.
* 620mm is minimum, the feet are adjustable so the overall height of the bath can vary.

To see the complete
ERGOBATH® range go to
www.reece.com.au/bathrooms

Disclaimer: Products in this specification manual must by regulation be installed by licensed and registered trade people. The manufacturer/distributor reserves the right to vary specifications or delete models from their range without prior notification. Dimensions are nominal measurements only. Dimensions and set-outs listed are correct at time of publication however the manufacturer/distributor takes no responsibility for printing errors.

Tech Page Version 1

OMVIVO ERGOBATH® CLASSIC



Ergobath® is available in inset and freestanding models with and without spa systems. The freestanding models have a seamless surround. Ergobath® freestanding spa models conceal the pump and mechanics at the head end of the bath, within the surround and are supplied with a discreet acrylic access panel.

Ergobath® spas are available in Deluxe and Premium models:

Ergobath® Deluxe Spa

- 6 Therapy jets
- 2 Harmony jets
- + 4 Reflex jets
- Electronic touch pad
- 1 HP heated pump



Ergobath® Premium Spa

- 6 Therapy jets
- 4 Harmony jets
- + 4 Reflex jets
- ◆ 12 Hydro air jets
- * Mood light
- Remote control
- 1.5 HP hot pump
- Enhanced multi-speed blower



OMVIVO ERGOBATH® CLASSIC

SPECIFICATIONS

Recommended use	Domestic, Hotel and Commercial
Material	Sanitary grade acrylic with fibreglass backing
Colour availability	White
Fitting	Freestanding or island inset
Spa	A Deluxe or Premium spa option is available
Overflow	Yes
Plug & Waste	40mm
Additional Information	<p>Integrated stainless steel support frame with adjustable height feet for easy installation*</p> <p>* A Deluxe or Premium spa option is available</p> <p>Excellent thermal retention to maintain bath water temperature</p> <p>Passed strict quality testing including AS3558.5 and AS3558.12</p>

CLEANING RECOMMENDATIONS

To preserve the look and finish of your bath, clean after use with a mild detergent or soapy water with a soft cloth or sponge. Never use powder, cream, paste or abrasive cleaners as these may damage the surface of your bath and the fittings. Do not use sharp products such as scourers, brushes or steel wool on your bath, these will scratch your bath and damage the fittings. Bleach, strong chemicals or acidic cleaners will damage your bath and its fittings.

To repair a fine scratch in the acrylic, use a reputable acrylic bath polish or brasso to polish it out. Always test on a small area first. To thoroughly clean out your spa system use a reputable spa cleaning product and follow the instructions.

Damage caused by improper use or cleaning is not covered by the product warranty - refer to Warranty Conditions.

OMVIVO

ERGOBATH® CLASSIC

INSTALLATION INSTRUCTIONS

Prior to installation:

Please read the below important information carefully prior to commencing installation. Ignoring the below crucial information may void your warranty.

NO claims for damages, defects or incorrect product will be recognised after installation.

Upon delivery, unpack and inspect your product to ensure no damage has occurred in transit and that the product is correct. If damage has occurred, or a defect exists do not proceed with installation and contact the supplier immediately. If the bath is not being installed immediately, repack the bath so it is safe and secure.

This Ergobath® spa has gone through rigid and thorough testing, including water testing in the Omvivo factory before it was dispatched to Reece. It is still imperative however that the Ergobath® spa system has a water test done prior to the final installation being completed to ensure the jets, pipe work and all connections are fully water tight. Omvivo will not accept any claims of damage due to water leaks after installation.

The Ergobath® must have a drainage test done prior to installation being completed to ensure the water is completely draining from the bath. Omvivo will not accept any claims for non draining baths after the bath is installed.

Installation of any Ergobath® product should only be carried out by qualified Tradespersons. Installation or part installation by the purchaser or any person other than a LICENSED PLUMBER (and fully qualified electrician for spa baths) will immediately void warranty.

For inset baths we recommend that the 'pre-framing' work be carried out once the actual product is on-site. The location of taps and spouts/faucets must be carefully considered to ensure the layout is both functional and aesthetically pleasing prior to bath installation and connection should only be carried out by a qualified licensed person in accordance with AS3500.

Read and become familiar with the manufacturers pump and blower manual, provided with Ergobath spa baths.

Handling and Lifting

Ergobath® should be handled with extreme care. When unpacking and moving the bath ensure you have a minimum of two people available to lift and support the bath. Only lift Ergobath® by the edges of the bath or the frame. Never lift the bath by the pump or any other part of the spa including the piping system on the spa model. Ensure your bath is well protected at all times internally and externally.

The Ergobath® has been through rigid and thorough quality control and testing. Damage incurred during installation, including scratches, damage to the shell, surround, spa jets, system or pump are not covered by the warranty. No claims of damage, leaking or fault will be accepted after installation.

The following instructions are intended as a guide only. Local regulations can vary and it is the responsibility of the installer to check the local authority and state laws for requirements prior to installation, and ensure installation complies.

OMVIVO

ERGOBATH® CLASSIC

INSTALLATION INSTRUCTIONS CONTINUED

Set up for Ergobath® Freestanding baths and spas:

- Ensure you have a clean, flat suitable floor surface for the bath to be installed upon that is appropriate for the weight of the bath when full with an adult person in it.
- Each Ergobath® is supplied with an integrated stainless steel frame with adjustable feet that support the base of the bath, Ergobath® does not require a mortar bed.
- Each of the adjustable feet on the frame must be in full contact with the floor so the bath is fully supported and there is no movement.
- Adjust the feet by twisting them up or down, ensuring that each foot is resting on the floor in the position that the bath will be installed and the bath freestanding surround is approximately 3mm above the finished floor level (see Dia .1).
- The freestanding bath should never be supported by the surround; the surround should never be resting on the floor. Damage to the surround due to incorrect installation or pressure/weight on the bath before it has been installed will not be covered by warranty.
- Using a level, check the top of the bath will be consistently level all around when in position (see Dia .2). This is extremely important for proper drainage of the bath and proper function of the spa.

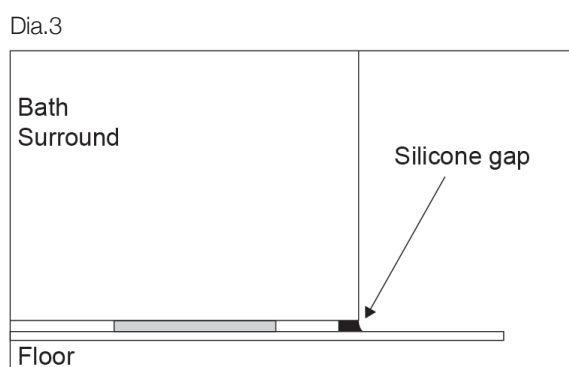
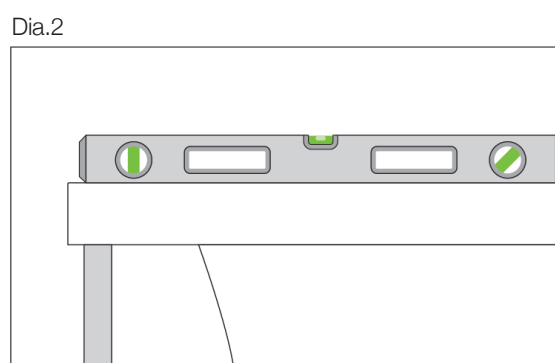
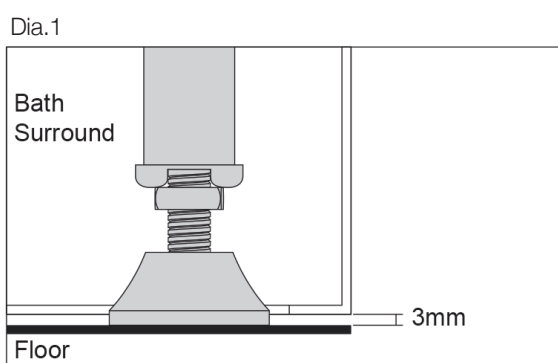
Installing Ergobath® Freestanding models:

- The Ergobath® freestanding bath is completely self-supporting and should be installed away from the wall, allowing room for cleaning around the bath. Check with local statutory authorities for minimum allowances.
- Check the spout/faucet is an appropriate length and in a suitable position.
- Install the Omvivo pop up waste in the bath and connect the waste to the plumbing in the floor. Do not over tighten the plug and waste when connecting to the bath as this may damage the overflow chamber or crack the bath. Connection of the water supply and drainage may only be carried out by a qualified licensed person in accordance with AS3500 reflecting each installations unique requirements.

For spa models please go to the spa instructions on page 7 before continuing with this bath installation.

For bath only models, please continue with the bath installation points below.

- Before completing the installation fill the bath with water and test for leaks around the waste and drainage (if this is a spa model, this testing can be done at time of testing the spa system).
- It is recommended that the 3mm gap have silicone applied to this area upon completion of installation (see Dia. 3)



Plumbers, please ensure a copy of the installation instructions is left with the end user for future reference

OMVIVO

ERGOBATH® CLASSIC

INSTALLATION INSTRUCTIONS CONTINUED

Set up for Ergobath® Inset baths and spas:

- Ensure you have a clean, flat suitable floor surface for the bath to be installed upon that is appropriate for the weight of the bath when full with an adult person in it.
- Each Ergobath® is supplied with an integrated stainless steel frame with adjustable feet that support the base of the bath, Ergobath® does not require a mortar bed.
- Each of the adjustable feet on the frame must be in full contact with the floor so the base of bath is fully supported and there is no movement.
- Adjust the feet by twisting them up or down, ensuring that each foot is resting on the floor in the position that the bath will be installed. It is important that each foot is completely resting on the floor to fully support the bath.
- Using a level, check the top of the bath will be consistently level all around when in position (see Dia .4). This is extremely important for proper drainage of the bath and proper function of the spa.
- While the feet provide full support for the base of the bath, the lip/rim must be resting and supported on all four sides, in accordance with standard installation practices and in line with local authority building code, by a hob wall constructed from timber, hebel or masonry (see Dia .5).

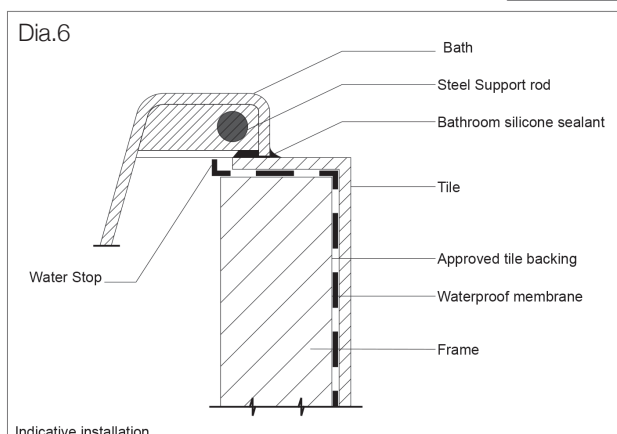
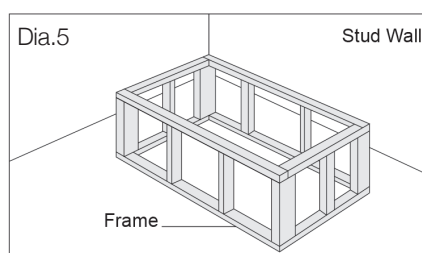
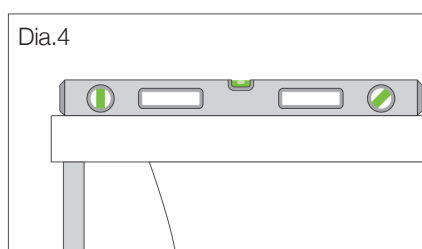
Installing Ergobath® Inset models:

- The Ergobath® inset bath is to be installed as an 'island' bath; it is designed to be installed into a hob with a gap between each of the bath sides and the wall. These baths must be installed a minimum of 75mm from a wall or as stated by the statutory authorities.
- Ensure waterproof membrane has been used under the tiling of the hob and a suitable water stop is in place on the hob so water does not seep under the lip of the bath and into the internal of the hob (see Dia .6).
- Install the Omvivo pop up waste in the bath and connect the waste to the plumbing in the floor. Connection of the water supply and drainage may only be carried out by a qualified licensed person in accordance with AS3500 reflecting each installations unique requirements.

For spa models please go to the spa instructions on page 7 before continuing with this bath installation.

For bath only models, please continue with the bath installation points below.

- Before completing the installation fill the bath with water and test for leaks around the waste and drainage (if this is a spa model, this testing can be done at time of testing the spa system).
- Use masking tape to mask the sides of the bath lip so excess silicone can easily be removed after installation.
- Seal the bath edge on the underside around the entire bath using a good quality bathroom silicone sealant ensuring the bath is totally water tight.
- Remove masking tape immediately and neatly clean off any excess silicone



Plumbers, please ensure a copy of the installation instructions is left with the end user for future reference

OMVIVO

ERGOBATH® CLASSIC

INSTALLATION INSTRUCTIONS CONTINUED

Installing Ergobath® - All spa models

Pump and blower:

- Refer to the separate pump booklet provided with Ergobath® for blower and pump guidelines.
- The pump on the Deluxe spa model and pump and blower on the Premium spa model are pre installed at correct configurations according to standard AS 3861.
- Each Ergobath® spa model is supplied with the pump position beneath the head of the bath.
- Freestanding Ergobath® models are supplied with an access panel built into the surround.
- Inset models require an access panel to be created and fitted by the installer as per standard AS 3861.

Electrical:

- The pump (and blower on Premium baths) must be connected by a qualified electrician.
- All electrical components must be installed in an appropriate and safe manner in accordance with standard AS 3000.
- A 10 Amp power source is required for the pump and a 10 Amp power source for the blower.
- Each power point must be supplied from a circuit protected by a residual current device (RCD) with a maximum rated residual current 30 mA.
- Power cords must not be positioned in a way as to be crushed or damaged. This can cause potential hazard or injury.

WARNING!

**PUMP / BLOWER & ELECTRICAL EQUIPMENT (EXCEEDING 12V)
MUST NOT BE ACCESSIBLE TO A PERSON IN THE BATH.**

Access and ventilation:

- As the pump and other electrical items may need servicing, full access for easy removal must be provided.
- Ergobath® freestanding models are supplied with an access panel at the head end of the bath.
- Ergobath® inset models require an access panel (min 500 mm H x 400 mm W) to be provided by the installer in accordance with standard AS 3861.
- Access panels for inset baths can be built into the bath hob or in an access panel through the wall from an adjoining room.
- Access panels should never be opened whilst spa is in use.
- The Ergobath® freestanding spa models have been created allowing suitable ventilation. The Premium model also has a vent in the access panel.
- For ventilation of the inset spa bath guidelines, refer to the separate pump booklet provided with Ergobath® spa models.
- The spa bath pump/blower power connection must be accessible so that it can be independently switched off in case of an emergency but must not be accessible by the bath user.

Testing:

- Prior to completing the installation of the spa bath, it must be tested. Failing to test the spa bath may result in voiding the warranty.
- Once the waste is installed on the bath and electrical works have been carried out, clean the bath completely ensuring there is no debris or material left in the bath which could enter the pump or jets.
- Fill the bath with water until it is a minimum of 50mm above the highest jet.
- Turn the pump on and let it run for a minimum of 15 minutes. Check for any leaks around the spa jets, the pipework and joins of pipes.
- Turn spa off for a minimum of 15 minutes then repeat the process again, checking thoroughly for any leaks.
- Check for leaks around the waste and drainage before emptying the bath to complete installation.
- For blower and pump electrical guidelines, refer to the separate booklets provided with Ergobath® spa models.

Complete installation as per instructions on previous page

Plumbers, please ensure a copy of the installation instructions is left with the end user for future reference