

Lilli 400

OMVIVO



Lilli 400

Basin available finishes

Solid surface white.

Assembly

Lilli 400 assembly includes:

- Basin
- Ø32 mm chrome pop up waste
- Rubber seals
- Chrome locknut
- Fixing bolts

Cleaning

Solid surface - Clean with a mild detergent and a soft cloth. For more stubborn marks a very mild abrasive cleaner can be used with a soft cloth over the entire surface in wide circular motions. Finish by cleaning off detergents with a soft wet cloth and towel dry.

Additional information and recommended fittings

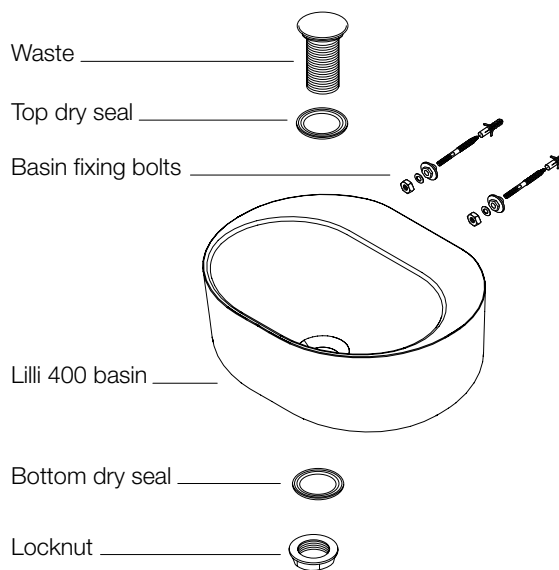
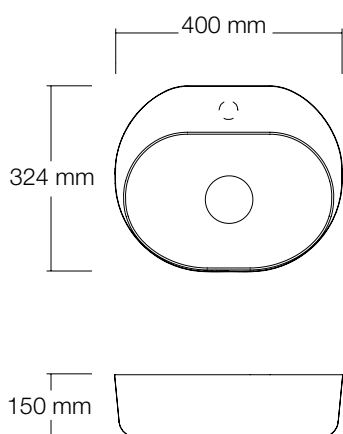
The Lilli 400 basin can be wall mounted or mounted onto a bench top and can be ordered with 0 or 1 tap hole.

Important

This is not an installation guide.
Please contact OMVIVO for technical details.
Product specifications are subject to alteration without notice.

©OMVIVO Pty Ltd. 2011.

Assembly



design Thomas Coward

OMVIVO

Omviso Pty Ltd Schiavello Complex T: + 61 3 9339 8130
1 Sharps Road Tullamarine F: + 61 3 9330 8611
Victoria Australia 3043 info@omvivo.com

www.omvivo.com

Note: due to varying manufacturing methods, the dimensions illustrated here are nominal and subject to change. Omvivo has detailed, to the best of its ability, the most approximate measurement possible for each product given the method of manufacturing used.