





Neo 1000 Cabinet

Available finishes

Selection of finishes. 

For available finishes, please refer to the Omvivo website or contact Omvivo directly.

 In Australia, this product is available exclusively through Reece showrooms.

Assembly

Neo 1000 cabinet assembly includes:

- Cabinet body
- Large drawer
- Adjustable shelf
- Soft close drawer mechanism
- Chrome designer handle

Cleaning

Thermofoil - Clean with a mild, non acidic, non abrasive detergent and soft cloth. Finish by cleaning off detergents with a soft damp cloth and towel dry.

Additional information and recommended fittings

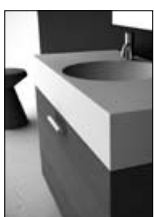
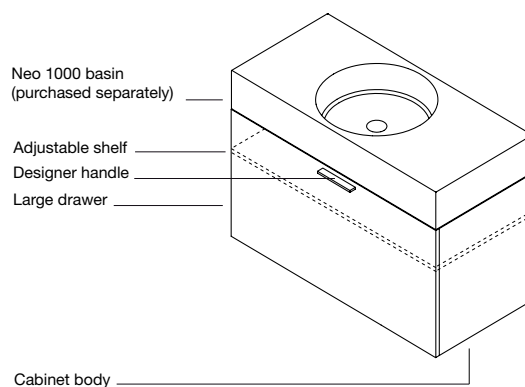
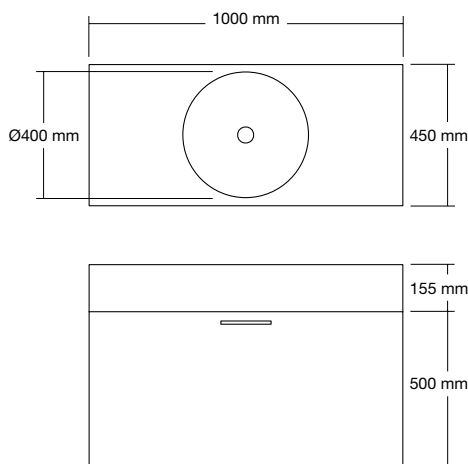
The Neo 1000 cabinet is designed to be wall mounted. The Neo 1000 cabinet is designed specifically to compliment the Neo 1000 centered basin and the Neo 1000 offset basin. The Neo 1000 offset basin can be installed with a left or right hand bowl. There are three designer handles to choose from which can be positioned on the left, right or centre of the neo drawer.

Important

This is not an installation guide.
Please contact OMVIVO for technical details.
Product specifications are subject to alteration without notice.

©OMVIVO Pty Ltd. 2009.

Assembly



design Thomas Coward

OMVIVO

Omvivo Pty Ltd Schiavello Complex T: + 61 3 9339 8130
1 Sharps Road Tullamarine F: + 61 3 9330 8611
Victoria Australia 3043 info@omvivo.com

www.omvivo.com

Note: due to varying manufacturing methods, the dimensions illustrated here are nominal and subject to change. Omvivo has detailed, to the best of its ability, the most approximate measurement possible for each product given the method of manufacturing used.