




Neo 1000 Offset Solid Surface

Available finishes

Solid surface white. 

 In Australia, this product is available exclusively through Reece showrooms.

Assembly

Neo 1000 offset basin assembly includes:

- Basin with overflow
- $\varnothing 32$ mm chrome pop up waste
- Rubber seals
- Chrome locknut

Cleaning

Solid surface - Clean with a mild detergent and a soft cloth.
For more stubborn marks a very mild abrasive cleaner can be used with a soft cloth over the entire surface in wide circular motions.
Finish by cleaning off detergents with a soft wet cloth and towel dry.

Additional information and recommended fittings

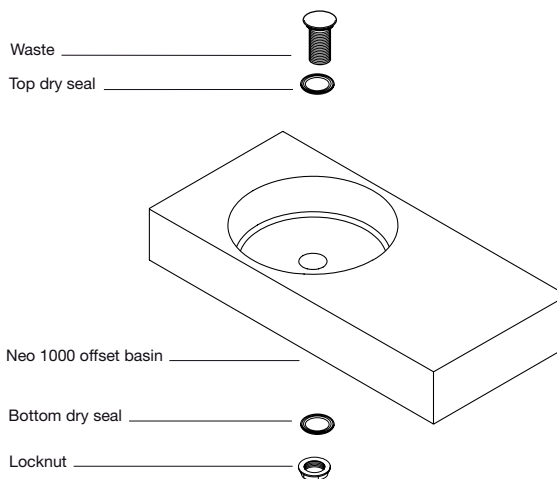
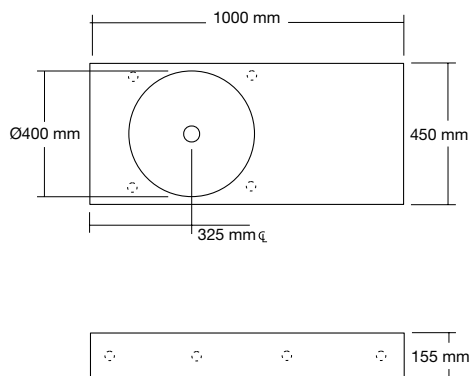
Neo 1000 offset basin can be installed with a left or right hand bowl and can be bench mounted or wall mounted. Basin can be ordered with 0 or 1 tap hole. Neo cabinetry also available.

Important

This is not an installation guide.
Please contact OMVIVO for technical details.
Product specifications are subject to alteration without notice.

©OMVIVO Pty Ltd. 2009.

Assembly



Note: Drawing and assembly illustrate a left hand bowl.
Right hand bowl also available.



design Thomas Coward

OMVIVO

Omviso Pty Ltd Schiavello Complex T: + 61 3 9339 8130
1 Sharps Road Tullamarine F: + 61 3 9330 8611
Victoria Australia 3043 info@omvivo.com www.omvivo.com

Note: due to varying manufacturing methods, the dimensions illustrated here are nominal and subject to change.
Omviso has detailed, to the best of its ability, the most approximate measurement possible for each product given the method of manufacturing used.