



CDesign 620 Cabinet

Available finishes

Powder coat white.

Assembly

CDesign 620 cabinet assembly includes:

- Cabinet body
- Large drawer
- Soft close drawer mechanism
- Full length powder coat handle

Cleaning

Clean with a mild, non acidic, non abrasive detergent and soft cloth. Finish by cleaning off detergents with a soft damp cloth and towel dry.

Additional information and recommended fittings

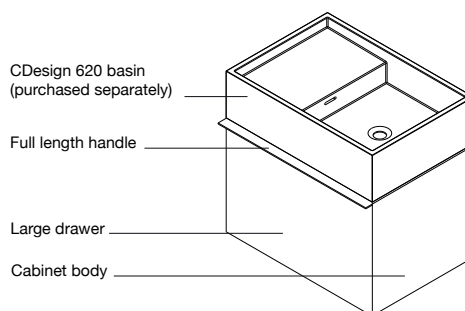
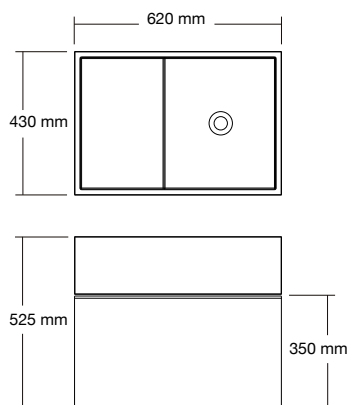
The CDesign 620 cabinet is designed to be wall mounted. The CDesign 620 cabinet is designed specifically to compliment the CDesign 620 basin, which can be installed on the cabinet with a left or right hand bowl.

Important

This is not an installation guide. Please contact OMVIVO for technical details. Product specifications are subject to alteration without notice.

©OMVIVO Pty Ltd. 2008.

Assembly



design Carr Design Group

OMVIVO

Omivivo Pty Ltd Schiavello Complex T: + 61 3 9339 8130
1 Sharps Road Tullamarine F: + 61 3 9330 8611
Victoria Australia 3043 info@omvivo.com

www.omvivo.com

Note: due to varying manufacturing methods, the dimensions illustrated here are nominal and subject to change. Omvivo has detailed, to the best of its ability, the most approximate measurement possible for each product given the method of manufacturing used.