







Geo Washplane® Caesarstone® Double and Triple

Available finishes

- Snow Caesarstone® 
- Latte Caesarstone® 
- Mink Caesarstone® 

 In Australia, this product is available exclusively through Reece showrooms.

Assembly

Washplane® assembly includes:

- Washplane® Top
- Stainless steel cantilever brackets
- Zinc plated steel mounting frame
- Stainless steel tray
- Stainless steel removable drainer
- Stainless steel fascia
- Location saddles

Cleaning

Caesarstone® - Clean with a mild detergent and soft cloth.
For stubborn stains a non scratch or delicate scrub pad can be

used with a mild detergent. Finish by cleaning off detergents with a soft wet cloth and towel dry. Caesarstone® does not need sealing or waxing and is virtually maintenance free.

Additional information and recommended fittings

Use a 200 mm wall outlet for all Washplanes with the exception of the 800 single Washplane® which requires a 150 mm wall outlet. Select an outlet that uses 5-7 litres per minute with the water falling at a 90 degree angle directly onto the Washplane®. The Ormivo wall outlets are ideal to use with a Washplane®. A cavity wall is needed to house the hardware and plumbing.

*Recommended triple dimensions

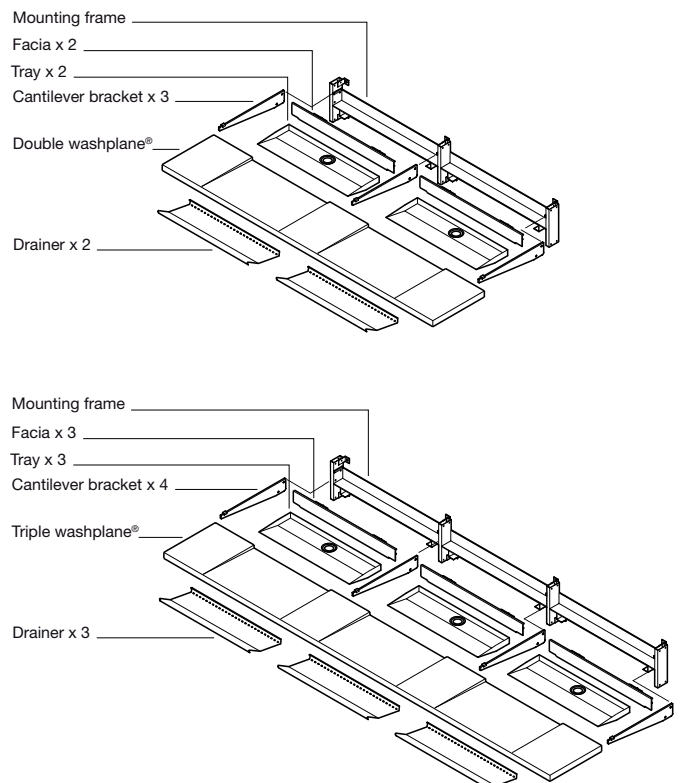
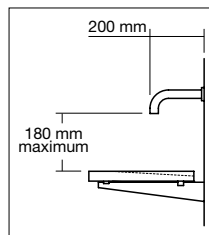
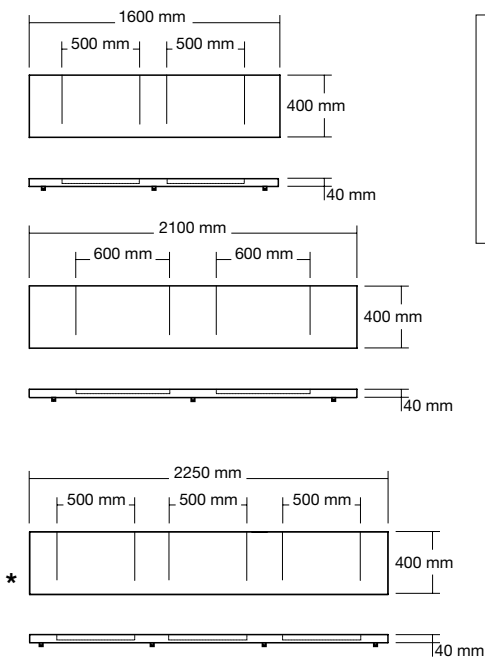
Triple Washplanes are made to order, please contact Ormivo to discuss your requirements.

Important

This is not an installation guide.
Please contact OMVIVO for technical details.
Product specifications are subject to alteration without notice.

©OMVIVO Pty Ltd. 1997.

Assembly



design Ormivo



Ormivo Pty Ltd Schiavello Complex T: + 61 3 9339 8130
1 Sharps Road Tullamarine F: + 61 3 9330 8611
Victoria Australia 3043 info@omvivo.com

www.ormivo.com

Note: due to varying manufacturing methods, the dimensions illustrated here are nominal and subject to change. Ormivo has detailed, to the best of its ability, the most approximate measurement possible for each product given the method of manufacturing used.