



# Geo Washplane® Stone Double and Triple

## Available finishes

Selection of natural stones.  
For available finishes please refer to the Omvivo website or contact Omvivo directly.

## Assembly

Washplane® assembly includes:

- Washplane® Top
- Stainless steel cantilever brackets
- Zinc plated steel mounting frame
- Stainless steel tray
- Stainless steel removable drainer
- Stainless steel fascia
- Location saddles

## Cleaning

Natural stone - Wipe up spills immediately. Clean with warm soapy water (a mild, neutral PH7, non-acidic detergent) and a soft cloth. Finish by cleaning off detergents with a soft wet cloth and towel dry. To ensure your natural stone looks its best year after year, apply a stone sealant approximately every 6 months or when required.

## Additional information and recommended fittings

Use a 200 mm wall outlet for all Washplanes with the exception of the 800 single Washplane® which requires a 150 mm wall outlet. Select an outlet that uses 5-7 litres per minute with the water falling at a 90 degree angle directly onto the Washplane®. The Omvivo wall outlets are ideal to use with a Washplane®. A cavity wall is needed to house the hardware and plumbing.

## \*Recommended triple dimensions

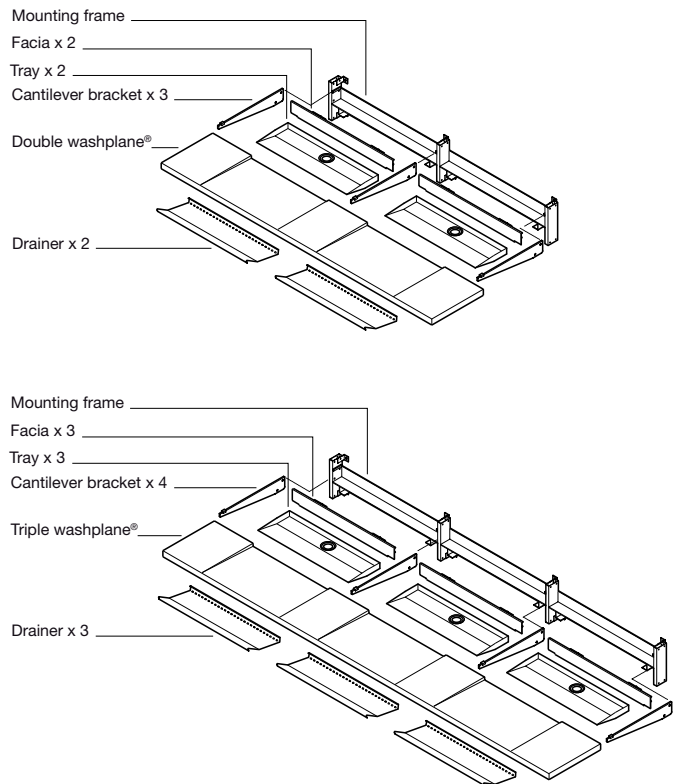
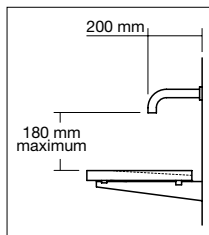
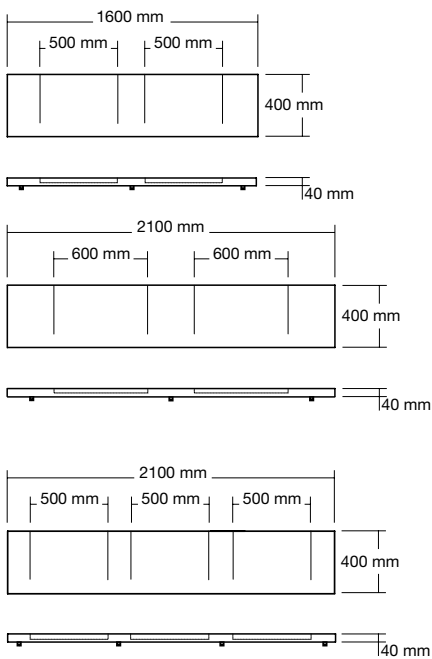
Triple Washplanes are made to order, please contact Omvivo to discuss your requirements.

## Important

This is not an installation guide.  
Please contact OMVIVO for technical details.  
Product specifications are subject to alteration without notice.

©OMVIVO Pty Ltd. 1997.

## Assembly



design Omvivo



Omvivo Pty Ltd Schiavello Complex T: + 61 3 9339 8130  
1 Sharps Road Tullamarine F: + 61 3 9330 8611  
Victoria Australia 3043 info@omvivo.com www.omvivo.com

Note: due to varying manufacturing methods, the dimensions illustrated here are nominal and subject to change. Omvivo has detailed, to the best of its ability, the most approximate measurement possible for each product given the method of manufacturing used.