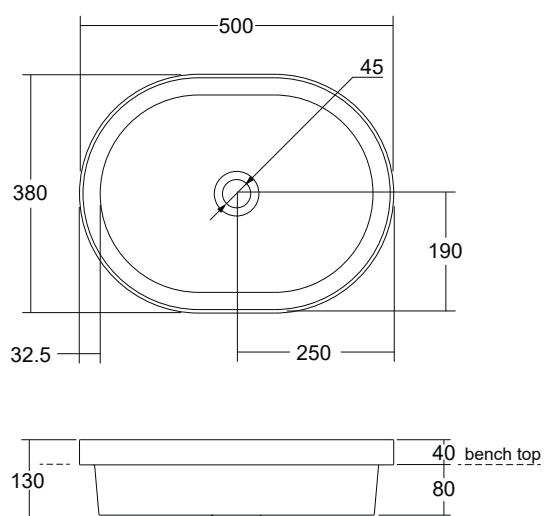


Inspired by the angular geometry and minimalist monochromatic colour pallet of the mid-century brutalist movement, Pere basins complement any contemporary interior. The Pere oval basin offers a generous size wash basin while compact enough to suit most modern vanities.

The Pere oval is available for order in solid surface white with a chrome pop-up plug and waste or optional matching solid surface white waste cap. Pere Oval can be mounted above counter or semi-inset and is available with Omvivo Softskin finishes. See Pere oval above counter basin and Softskin specification sheets for more information.



Dimensions

Width: 500mm

Depth: 380mm

Height: 40mm

Features

Colour:	White
Material:	Solid surface
Finish:	Matt
Overflow:	No
Waste Size:	32mm
Waste Supplied:	Yes - 32-40mm chrome pop-up waste
Weight:	7.9 kg
Capacity:	11.6 litres
Options:	Solid surface white waste cap Softskin

Cleaning

Solid Surface: Spills should be cleaned up promptly. Clean with a mild detergent or soapy water and soft cloth. For more stubborn marks use a diluted very mild abrasive cleaner with a soft cloth in light circular motions over the entire surface. Finish by cleaning off detergents with a soft wet cloth and towel dry. Avoid using bleach, highly acidic products and coloured abrasive cleaners on your basin.

Softskin: Softskin is a layered finish that is applied to solid surface products. Clean with warm soapy water, or a non-abrasive, non-acidic liquid cleaner and a soft cloth. Finish by cleaning off detergents with a soft wet cloth and towel dry. Do not use harsh materials such as scourers, abrasive detergents or solvents, as the surface may scratch or graze.