

The design of the contemporary Urban MKII vanities is understated and refined. Available in a range of sizes, the vanities feature sleek finger pull detailing on soft close drawers. The drawers feature a fresh linen finish with matt white hardware, giving the vanity an exclusive feel. Urban MKII is supplied complete with a unique slim solid surface basin with a distinct offset bowl.

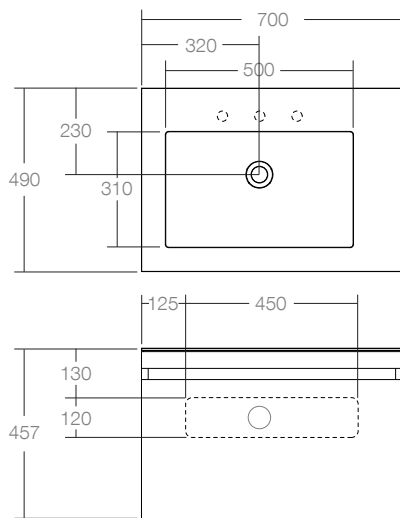
The chic style of the Urban MK II range will suit a wide variety of environments from small bathrooms through to generous ensuites.

Urban MKII can be ordered with or without a tap hole and is supplied with a polished chrome pop up plug and waste, and compact pvc trap for plumbing.

Finishes



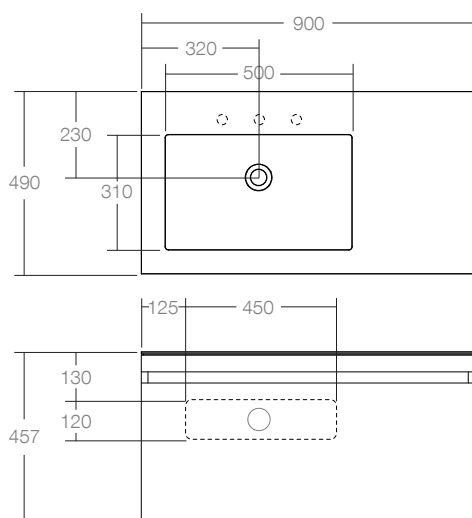
700



FRONT ELEVATION  
BACK PANEL CUT-OUT



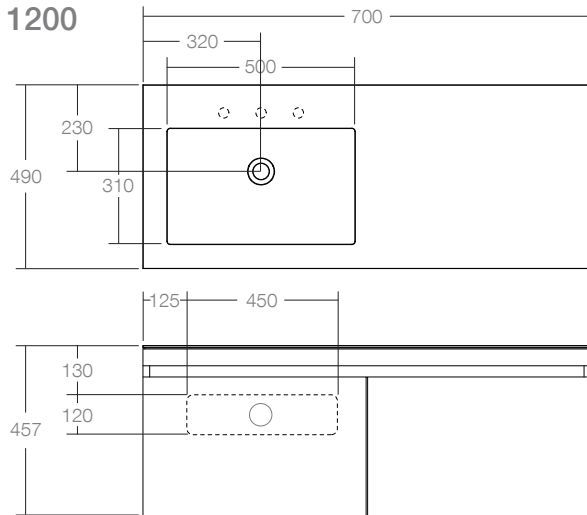
900



FRONT ELEVATION  
BACK PANEL CUT-OUT



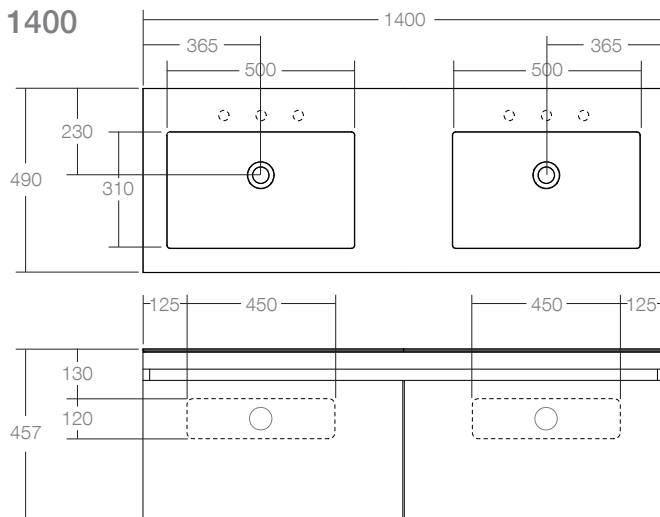
1200



FRONT ELEVATION  
BACK PANEL CUT-OUT



1400



FRONT ELEVATION  
BACK PANEL CUT-OUT



Features

- Material: White solid surface slimline inset basin  
Timber laminate on HMR board cabinet or 2pac painted on HMR board cabinet  
Laminate on HMR board internal drawer
- Drawers: Soft close drawer
- Handles: Finger pull
- Overflow: No
- Tap Holes: 0, 1 or 3
- Waste Size: 32mm
- Waste Supplied: Yes, with a 40mm pvc micro trap

Cleaning

- Solid surface: Spills should be cleaned up promptly. Clean with a mild detergent or soapy water and soft cloth. For more stubborn marks use a diluted very mild non coloured abrasive cleaner with a soft cloth in light circular motions over the entire surface. Finish by cleaning off detergents with a soft wet cloth and towel dry. Avoid using bleach, highly acidic products and coloured abrasive cleaners on your basin.
- 2pac paint and laminate: Never allow water or liquids to sit on your timber cabinetry. Always clean spills and water immediately. Clean with a mild, non-acidic, non-abrasive cleaner and soft cloth. Finish by cleaning off detergents with a soft damp cloth and towel dry. Never use bleach, highly acidic products or coloured abrasive cleaners on your vanity.