

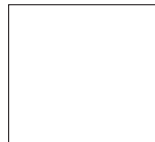




The Omvivo Washplane is designed to turn everyday routines into luxurious experiences. Ideal for both residential and commercial environments, the sleek appearance of the Omvivo Washplane features concealed plumbing and is supplied with hardware and drainage system to be installed into a cavity wall. The generous structure and clean lines of the Geo Washplane offer a strong, uncomplicated design. Custom sizes and colour options are available.

SPECIFICATIONS

Finishes:



Matt White

Material:

Solid surface

Configurations:

Single – 800 mm or 1200 mm
 Double – 1600 mm or 2100 mm
 Triple – 2250mm
 Custom sizes and configurations available

Assembly:

- Washplane top
- Stainless steel cantilever brackets
- Zinc plated steel mounting frame
- Stainless steel tray
- Stainless steel removable drainer
- Stainless steel fascia
- Saddles for locating top on brackets

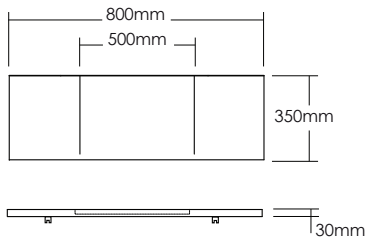
Installation information:

A cavity wall is needed to house the hardware and plumbing. Pre installation documents are available on request. Refer to the installation documents for full install details.

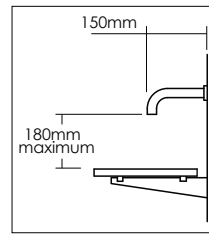
Important faucet details:

Use a 200 mm wall spout/faucet for all Washplanes with the exception of the single 800 which requires 150 mm. For best results, select a spout/faucet with a cascade style aerator (no spray) that uses approx 5 litres per minute with the water falling at a 90 degree angle directly onto the Washplane top.

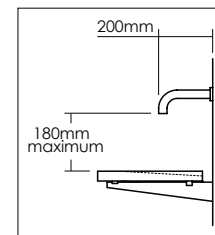
Geo 800 Single:



Faucet Details:

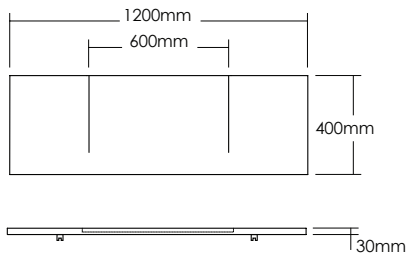


Suitable for Geo 800

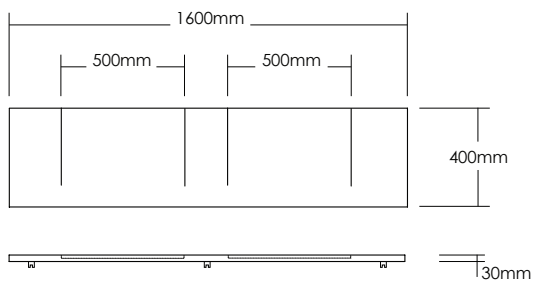


Suitable for Geo 1200/1600/2100/2250

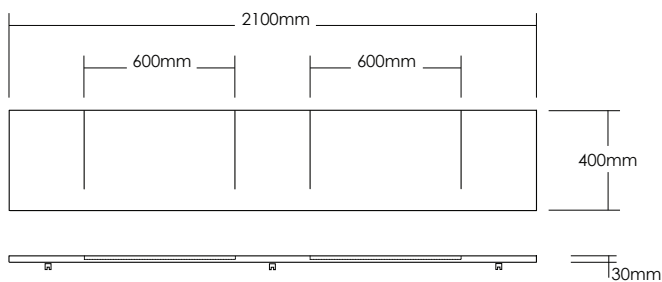
Geo 1200 Single:



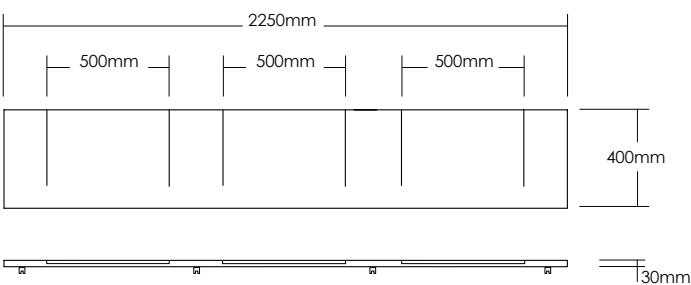
Geo 1600 Double:



Geo 2100 Double:

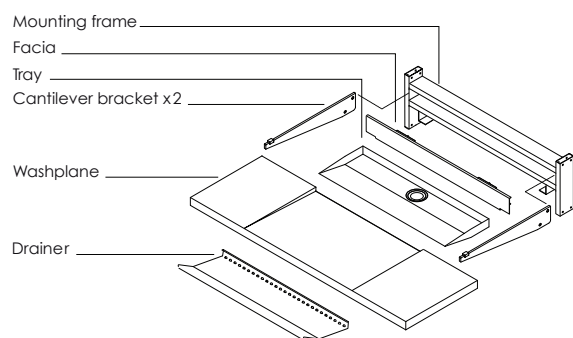


Geo 2250 Triple:

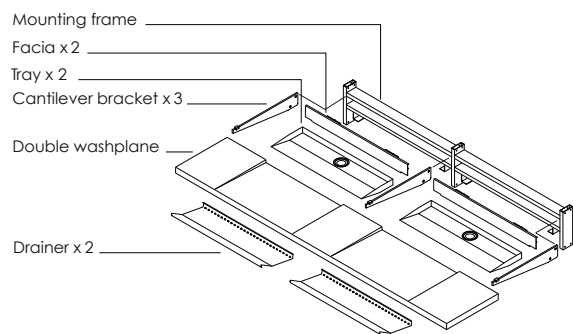


Components:

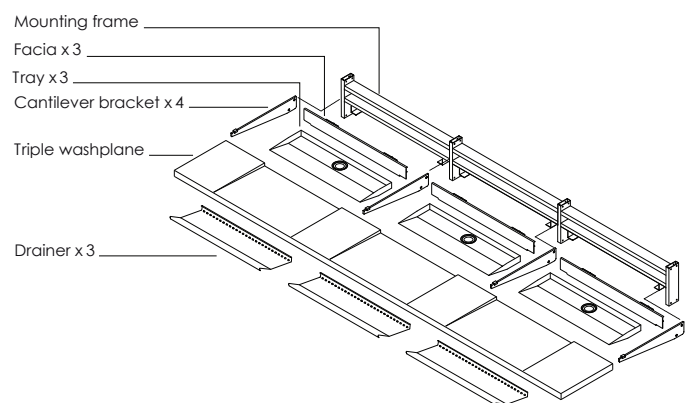
Geo Single



Geo Double



Geo Triple

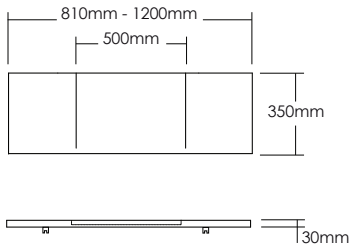


Dimensions are shown in millimetres. Due to the handcrafted nature of Omvivo products measurements are subject to a +/- 5mm manufacturing tolerance.

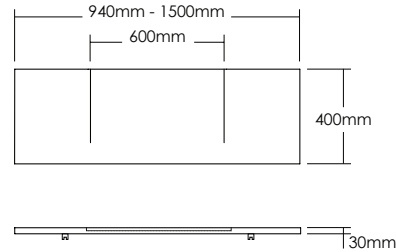
TAILORED GEO

In addition to the standard Geo Washplane sizes, there is also a range of tailored options which provide a more economical and shorter lead-time than a complete custom. Other custom configurations are available, contact Omvivo to discuss your requirements.

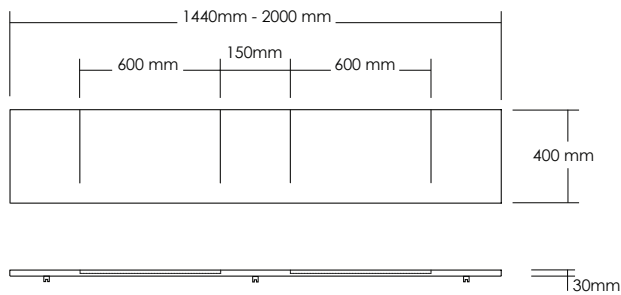
Geo 810 - 1200 Single:



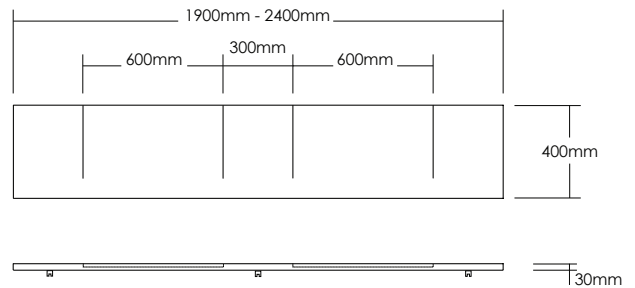
Geo 940 - 1500 Single:



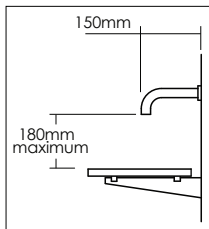
Geo 1440 - 2000 Double:



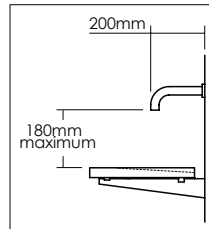
Geo 1900 - 2400 Double:



Faucet Details:



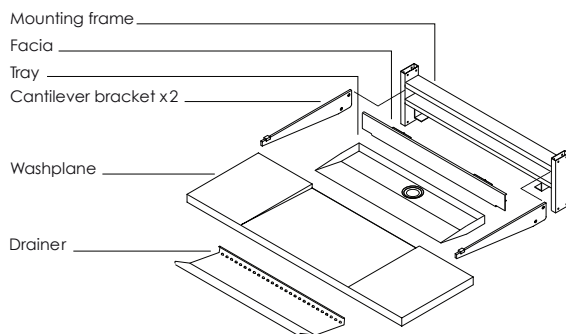
Suitable for Geo Single 810 - 1200



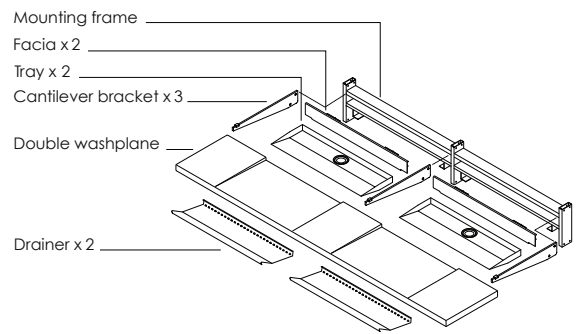
Suitable for all other Geo tailored configurations

Components:

Geo Single



Geo Double



Dimensions are shown in millimetres. Due to the handcrafted nature of Omvivo products measurements are subject to a +/- 5mm manufacturing tolerance.