





The Lune 550 basin has an elegant curved form, clean lines and compact dimensions. The design provides flexibility and timeless style with functionality, designed to suit a wide range of bathroom types for residential and commercial projects.

The Lune 550 basin is designed to be bench mounted. It can be installed with the bowl on the left, or right hand side and can be ordered with or without a tap hole. Lune basins are supplied with a pop up waste with and matching solid surface plug.

SPECIFICATIONS

Finishes:



Matt White

Softskin Finish: Available, refer to Softskin Finishes document

Dimensions: 550mm x 400mm x 150mm

Material: Solid surface

Overflow: Yes

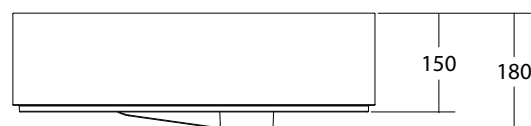
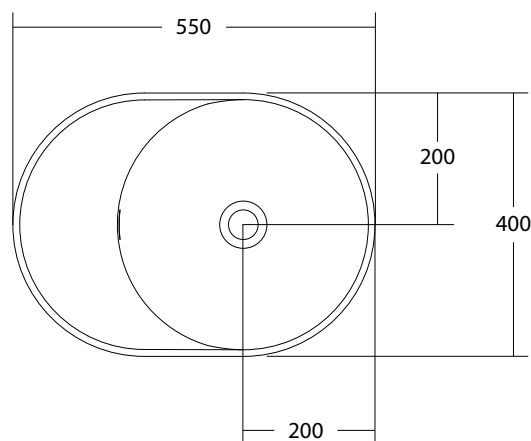
Tap Holes: 0 or 1

Waste Size: 32mm

Waste Supplied: Yes - 32/40mm - with chrome pop-up waste (white solid surface cap option available)

Weight: 12.7kg

Bowl Capacity: 9.2L



Dimensions are shown in millimetres. Due to the handcrafted nature of Omvivo products measurements are subject to a +/- 5mm manufacturing tolerance.