

VENICE 500 SEMI INSET



OMVIVO^o

VENICE 500 SEMI INSET

The Venice 500 Semi Inset basin is an elegant piece with smooth flowing lines and is the ultimate statement for the classic contemporary bathroom. Manufactured from solid surface it has a smooth matt finish that is exceptionally hard wearing and durable.

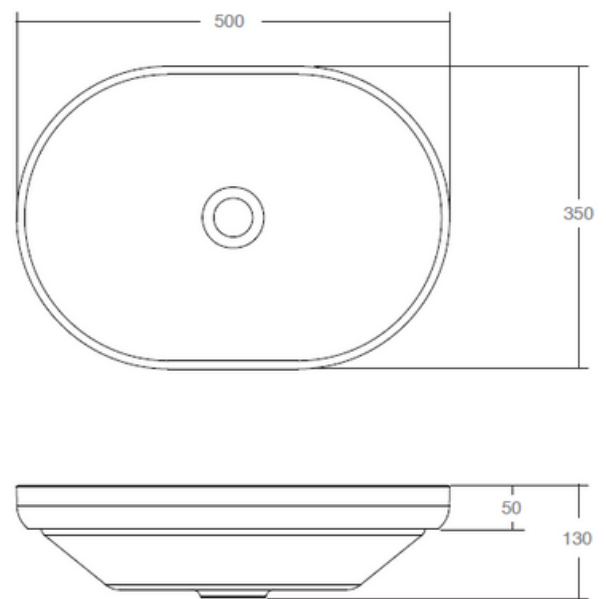
Venice 500 is designed to be mounted inset into the bench top and perfectly suit the Venice furniture. It is supplied with a polished chrome pop up plug and waste. In Australia, the Venice collection is available exclusively through Reece Bathrooms.

Dimensions

Width:	500mm
Depth:	350mm
Height:	130mm

Features

Colour:	White
Material:	Solid Surface
Softskin Available:	Yes
Finish:	Matt
Overflow:	No
Tap Holes:	0
Weight:	6kg
Capacity:	9 litres
Waste Size:	32mm
Waste Supplied:	Yes - 32/40mm with chrome pop up waste (white solid surface cap option available)



Cleaning solid surface:

Spills should be cleaned up promptly. Clean with a mild detergent or soapy water and soft cloth. For more stubborn marks use a diluted very mild abrasive cleaner with a soft cloth in light circular motions over the entire surface. Finish by cleaning off detergents with a soft wet cloth and towel dry. Avoid bleach and highly acidic products on your basin.

Cleaning soft skin:

Soft-skin is a layered finish that is applied to solid surface products. Clean with warm soapy water, or a non-abrasive, non-acidic liquid cleaner and a soft cloth. Finish by cleaning off detergents with a soft wet cloth and towel dry. Do not use harsh materials such as scourers, abrasive detergents or solvents, as the surface may scratch or graze.

Dimensions are shown in millimeters. Due to the handcrafted nature of Omvivo products measurements are subject to a +/- 5mm manufacturing tolerance.