



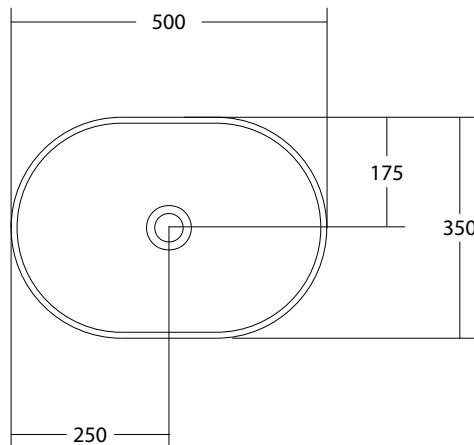


The Venice 500 Sem Inset basin is an elegant piece with smooth flowing lines and is the ultimate statement for the classic contemporary bathroom. Manufactured from solid surface it has a smooth matt finish that is exceptionally hard wearing and durable. Venice 500 semi inset is designed to be mounted inset into the bench top. It is supplied with a white solid surface pop up plug and waste.

In Australia, the Venice collection is available exclusively through Reece Bathrooms.

SPECIFICATIONS

Finishes:	 Matt White
Softskin Finish:	Available, refer to Softskin Finishes document
Dimensions:	500mm x 350mm x 130mm
Material:	Solid surface
Overflow:	No
Waste Size:	32mm
Waste Supplied:	Yes - 32/40mm With solid surface plug and pop-up waste
Weight:	5kg
Bowl Capacity:	11L



Dimensions are shown in millimetres. Due to the handcrafted nature of Omvivo products measurements are subject to a +/- 5mm manufacturing tolerance.