

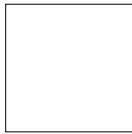


The uncomplicated aesthetics of the CDesign collection represent a rigorously simple geometric form, flexible design and understated detailing.

MODELS:
485 MICRO | 620 | 1330 DOUBLE | 1620 DOUBLE

OVERALL SPECIFICATIONS

Finishes:



Matt White

Softskin Finish:

Available refer to Softskin Finishes document

Designer:

Omvivo with Carr Design Group

Material:

Solid surface

Overflow:

Yes

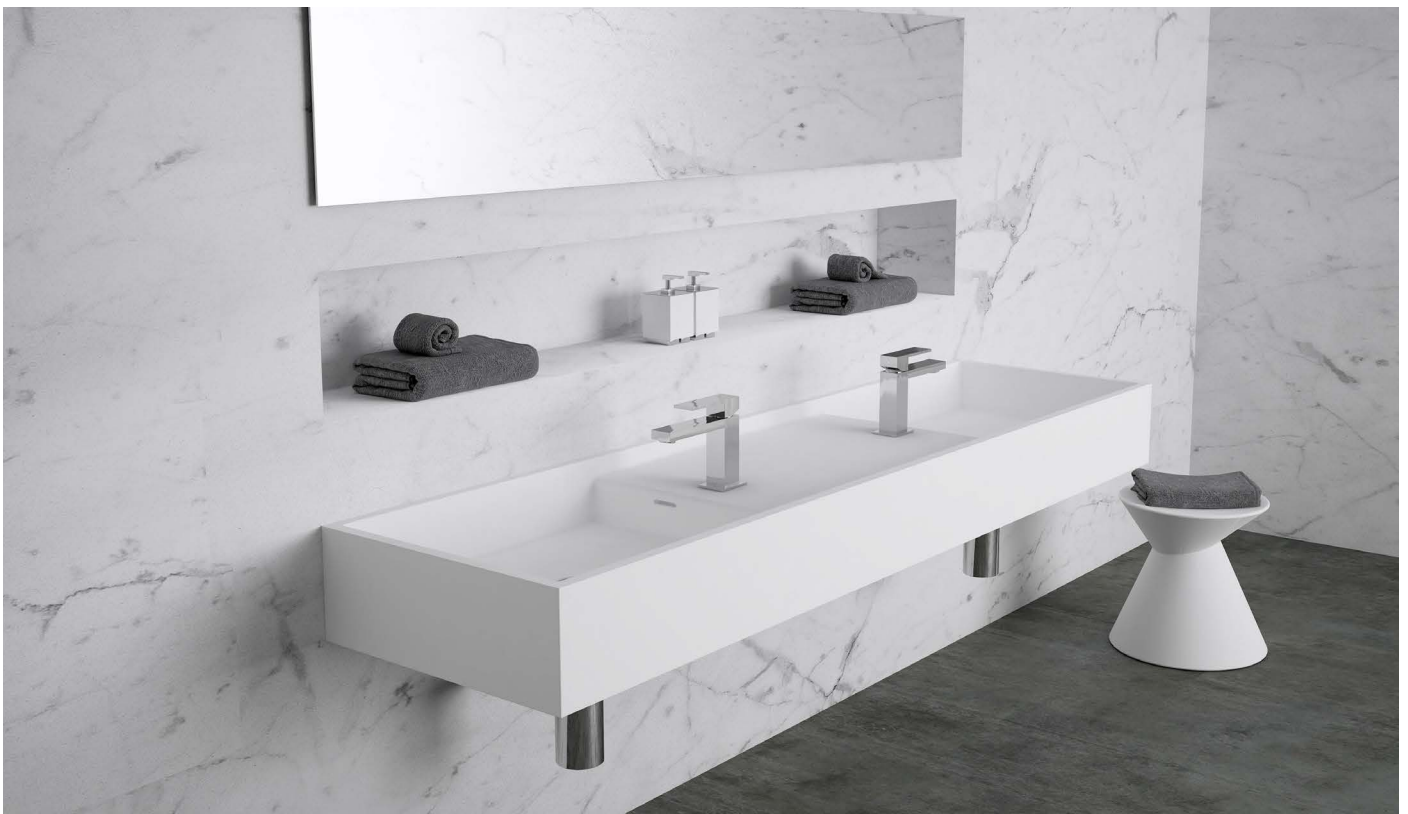
Waste Size:

32mm

Waste Supplied:

Yes - 32/40mm With solid surface plug and pop-up waste

	Wall mount	Above counter	Left hand bowl	Right hand bowl	0 or 1 tap hole	Overflow	Includes white plug & waste
CDesign 485	✓	✓	✓	✓	✓	✓	✓
CDesign 620	✓	✓	✓	✓	✓	✓	✓
CDesign 1330	✓	✓	N/A	N/A	✓	✓	✓
CDesign 1620	✓	✓	N/A	N/A	✓	✓	✓

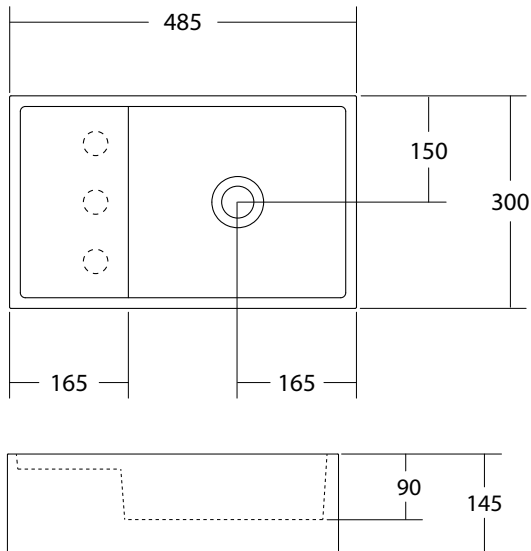


Dimensions are shown in millimetres. Due to the handcrafted nature of Omvivo products measurements are subject to a +/- 5mm manufacturing tolerance.

MIRCO 485

SPECIFICATIONS

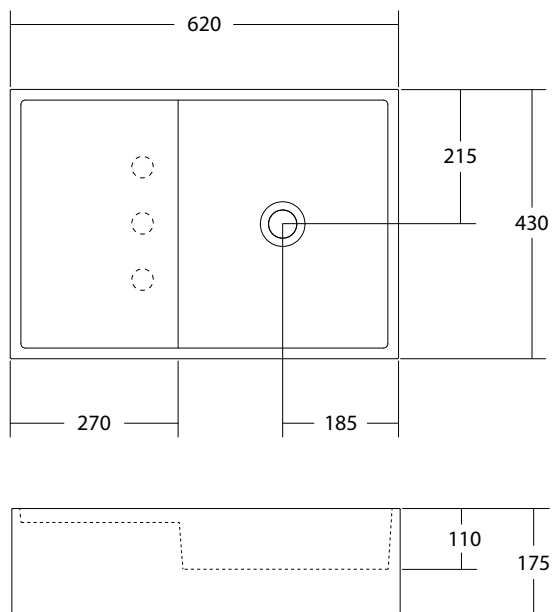
Dimensions: 485mm x 300mm x 145mm
 Tap Holes: 0, 1 or 3
 Weight: 10.7kg
 Bowl Capacity: 2.8L



620 BASIN

SPECIFICATIONS

Dimensions: 620mm x 430mm x 175mm
 Tap Holes: 0, 1 or 3
 Weight: 20.1kg
 Bowl Capacity: 6.2L

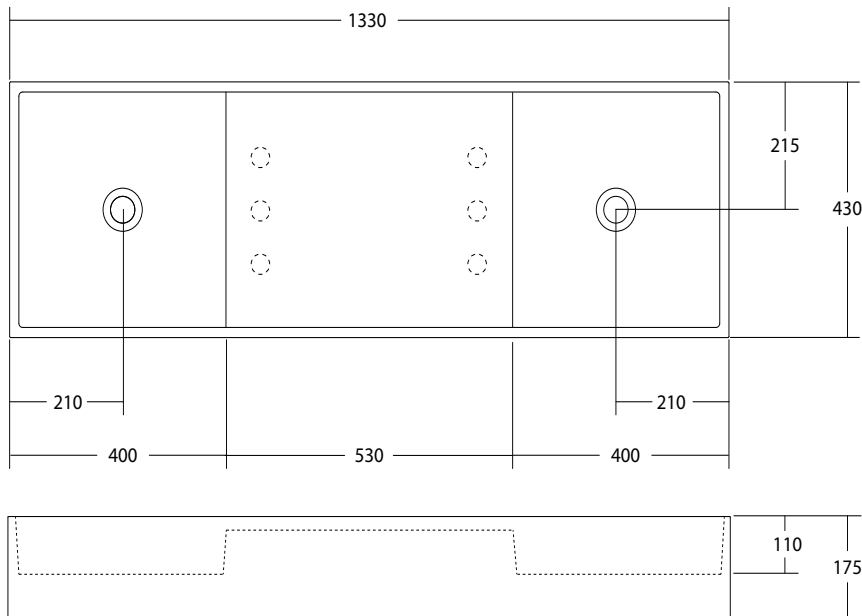


Dimensions are shown in millimetres. Due to the handcrafted nature of Omvivo products measurements are subject to a +/- 5mm manufacturing tolerance.

1330 DOUBLE BASIN

SPECIFICATIONS

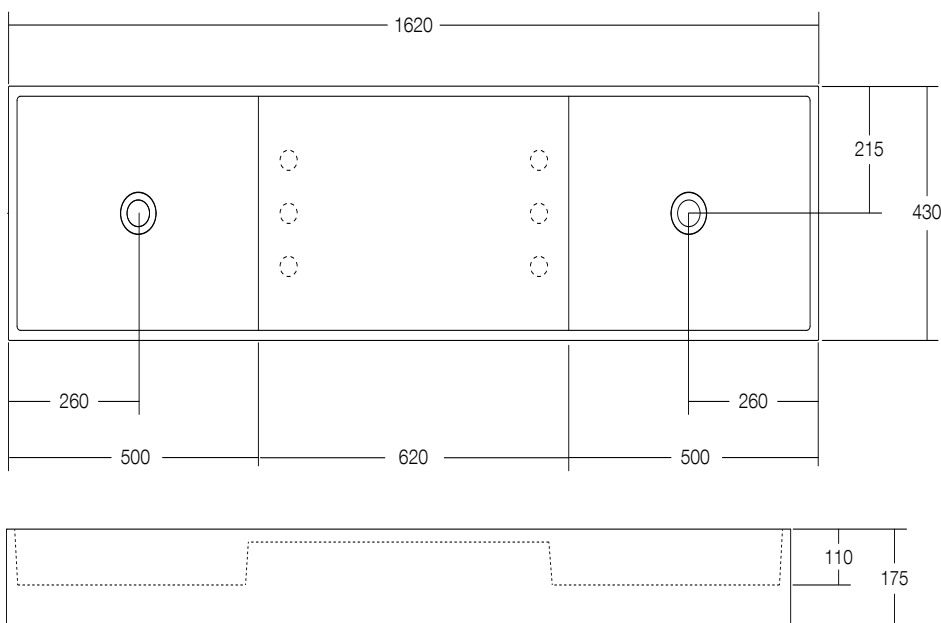
Dimensions: 1330mm x 430mm x 175mm
 Tap Holes: 0, 2 or 6
 Weight: 37.7kg
 Bowl Capacity: 7.2L x 2



1620 DOUBLE BASIN

SPECIFICATIONS

Dimensions: 1620mm x 430mm x 175mm
 Tap Holes: 0, 2 or 6
 Weight: 44.6kg
 Bowl Capacity: 9.9L



Dimensions are shown in millimetres. Due to the handcrafted nature of Omvivo products measurements are subject to a +/- 5mm manufacturing tolerance.